

NO.PS-501T



Specifications

Design air volume-----3000cfm/5100m³/h
 Applicable area-----100 m²
 Shell material-----Sheet metal
 Weight-----2.5kg
 Extreme operating temperature----- +60°C, -20°C

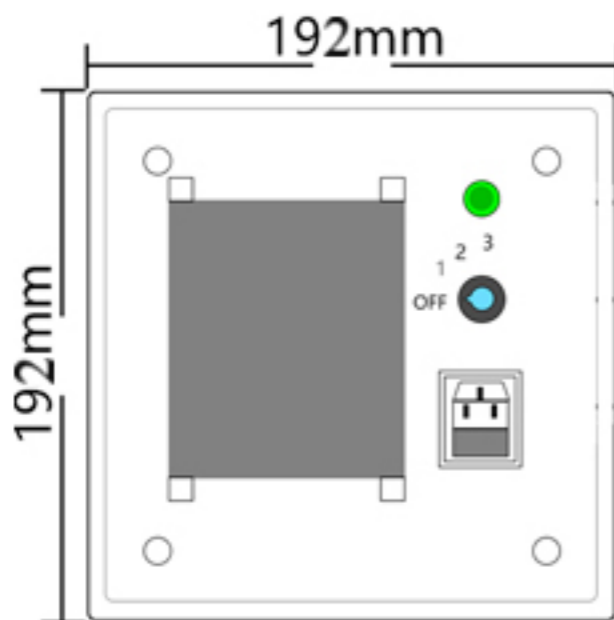
Electrical

Voltage-----AC 120V/230V
 Frequency-----50/60Hz
 Power consumption-----15W
 Internal fuse-----Overload Safety Protection
 Design and Dual Protection of Power Supply

Ionic valve

Material-----Multiple composite, stainless steel outer net
 Quantity-----One
 size-----350mm (14-inch standard)
 Ion tube life-----2 years
 size-----See Figure 1

Figure 1



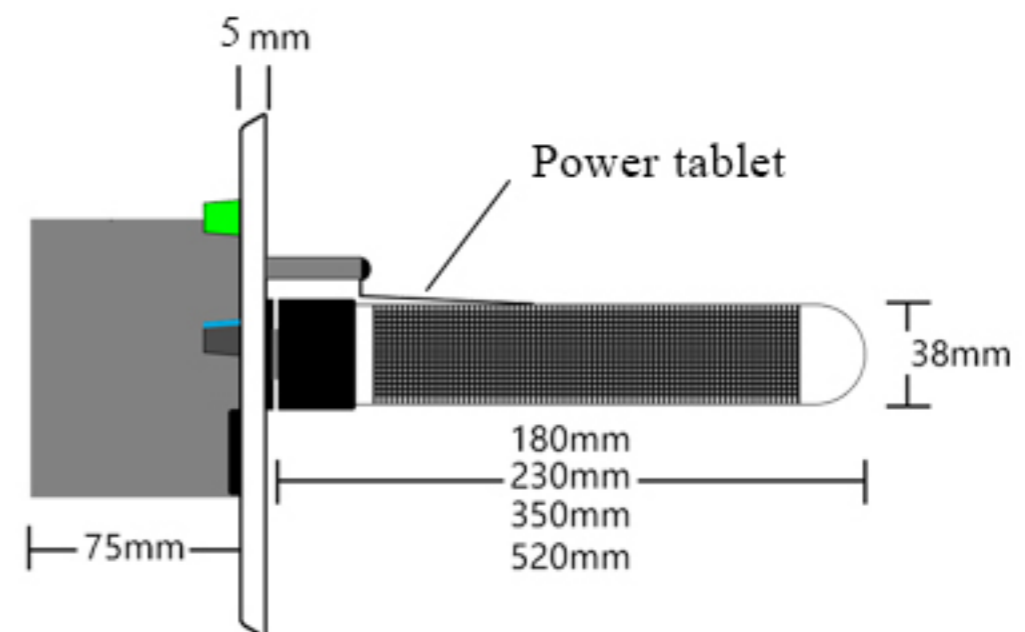
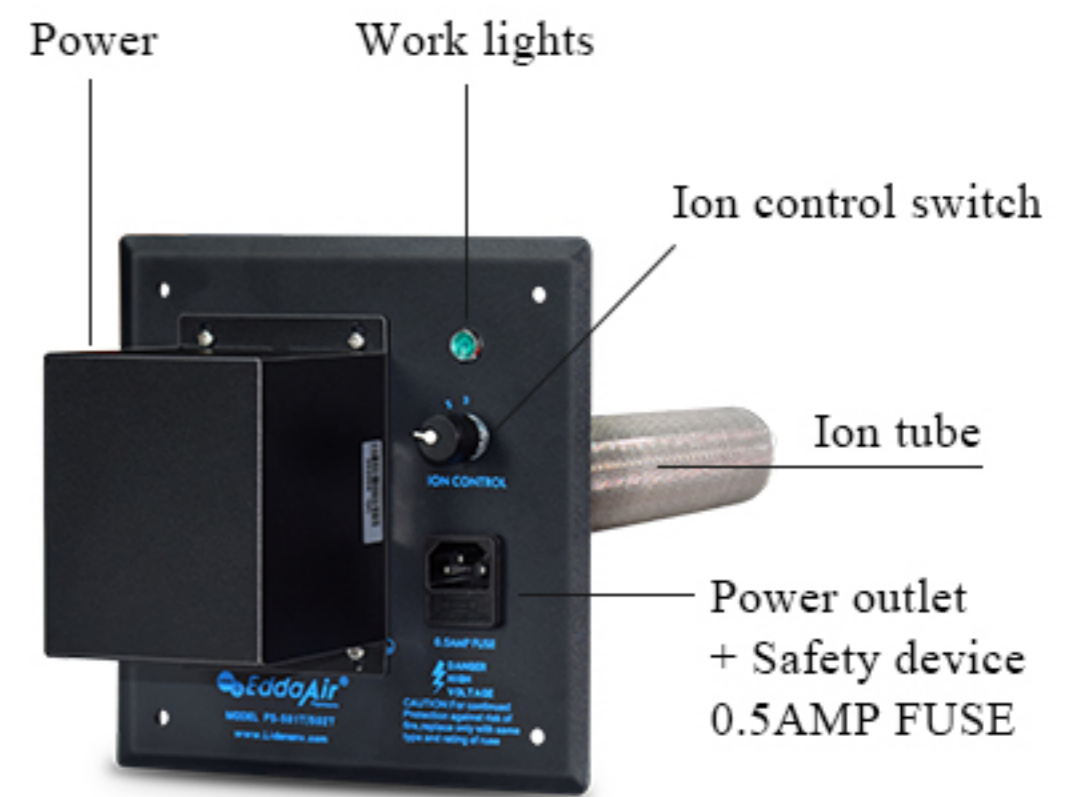
Application analysis

Edda Air plasma purification system is suitable for supply and exhaust systems installed in small air treatment systems, such as fan coils, HVAC and other ventilation systems. It can also be installed in the original fresh air or air conditioning system without destroying the original pipeline structure. According to the actual environmental area calculation or odor concentration, etc., adjust the switch 1/2/3 block to obtain the number of ions.

Application analysis

Air pressure switch, time control switch, air quality sensor .

Figure 2



- Ion tube length can be customized according to requirements